

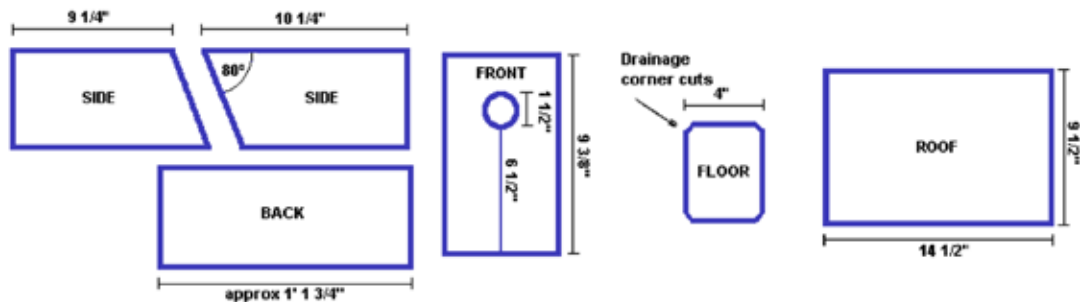
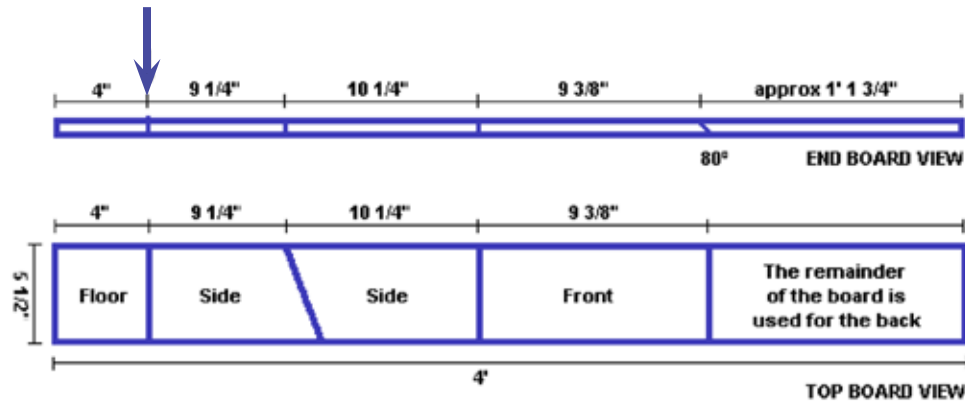


Eastern Bluebird Nest Box

Construction Plan

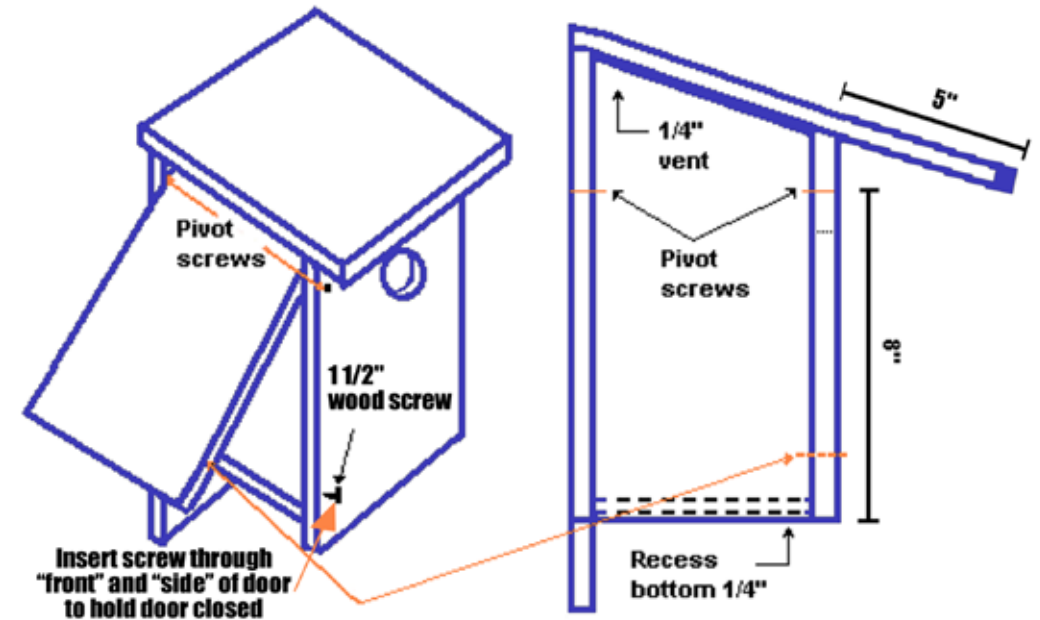
Start cutting at the "floor" and work towards the "back" since the back dimension is the least critical.

- Standard board 1" x 6" x 4' long
- Standard Board 1" x 10" x 14 1/2" long (for roof)
- 1 3/4" galvanized nails or screws -- approx. 20
- 1 3/4" galvanized screw or nail for pivot point -- 2
- 1 1/2" wood screw -- 1



For additional information on bluebird boxes and controlling predators, visit the NYS Bluebird Society at www.nysbs.org and www.nabluebirdsociety.org for the North American Bluebird Society.

The Bluebird Nest Box



- ❖ Mount nesting boxes by mid-March, with the base of the box about 4 to 5 feet above the ground.
- ❖ Do not change the size of the entrance: 1 1/2 inches is correct for bluebirds.
- ❖ If you paint or stain the box, use a light color only on the outside of the box.
- ❖ A bluebird box should never have a perch. Sparrows and wrens are attracted to perches.
- ❖ Bluebirds prefer large lawns with short grasses because they feed primarily on insects found on the ground.
- ❖ Try to place boxes at least 100 feet away from woods or thick brush.
- ❖ To help eliminate competition from tree swallows, locate two boxes about 5 feet apart.



© Thomas D. Lindsay

Thanks to Associate Professor Kevin Berner in the Fisheries and Wildlife Department at SUNY Cobleskill for his help with this plan.